
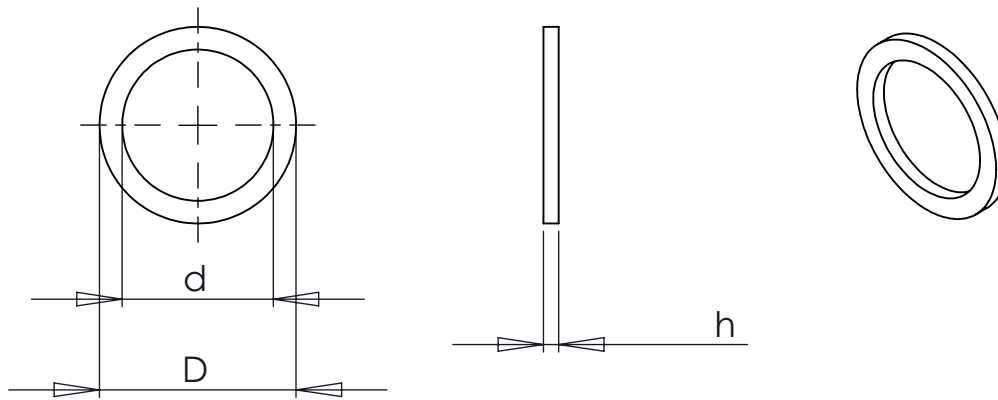


PARÇA NO PART NO ARTIKEL NR	SEMBOL SYMBOL KURZZEICHEN	d +	D -	h +/-	MALZEME MATERIAL WERKSTOFF	PARÇA NO PART NO ARTIKEL NR	SEMBOL SYMBOL KURZZEICHEN	d +	D -	h +/-	MALZEME MATERIAL WERKSTOFF
		0,3	0,2	0,2				0,3	0,2	0,2	
PA 199	5/32	4,20	7,90	1,00	Al.	PB 301	1/4	6,40	11,50	1,00	Cu.
PA 199M	M4	4,20	7,90	1,00	Al.	PB 301M	M6	6,20	9,90	1,00	Cu.
PA 200	3/16	5,20	9,80	1,00	Al.	PB 302	5/16	8,20	13,00	1,00	Cu.
PA 201	1/4	6,40	11,50	1,00	Al.	PB 302M	M8	8,20	13,90	1,00	Cu.
PA 201M	M6	6,20	9,90	1,00	Al.	PB 303	3/8	9,80	14,90	1,00	Cu.
PA 202	5/16	8,20	13,00	1,00	Al.	PB 304	M10	10,20	15,90	1,00	Cu.
PA 202M	M8	8,20	13,90	1,00	Al.	PB 305	7/16	11,00	18,10	1,00	Cu.
PA 203	3/8	9,80	14,90	1,00	Al.	PB 305M	M11	11,00	18,10	1,00	Cu.
PA 204	M10	10,20	15,90	1,00	Al.	PB 306	M12	12,20	17,90	1,00	Cu.
PA 205	7/16	11,00	18,10	1,00	Al.	PB 307	1/2	13,00	19,50	1,00	Cu.
PA 205M	M11	11,00	18,10	1,00	Al.	PB 308	9/16	14,20	20,90	1,00	Cu.
PA 206	M12	12,20	17,90	1,00	Al.	PB 308M	M14	14,20	19,90	1,00	Cu.
PA 207	1/2	13,00	19,50	1,00	Al.	PB 309	5/8	16,00	22,50	1,00	Cu.
PA 208	9/16	14,20	20,90	1,00	Al.	PB 309M	M16	16,20	21,90	1,00	Cu.
PA 208M	M14	14,20	19,90	1,00	Al.	PB 310	M18	18,20	23,90	1,00	Cu.
PA 209	5/8	16,00	22,50	1,00	Al.	PB 311	3/4	19,20	24,90	1,00	Cu.
PA 209M	M16	16,20	21,90	1,00	Al.	PB 312	M20	20,20	25,90	1,00	Cu.
PA 210	M18	18,20	23,90	1,00	Al.	PB 313M	M22	22,20	27,90	1,00	Cu.
PA 211	3/4	19,20	24,90	1,00	Al.	PB 313	7/8	22,50	28,50	1,00	Cu.
PA 212	M20	20,20	25,90	1,00	Al.	PB 314	M24	24,30	30,90	1,00	Cu.
PA 213M	M22	22,20	27,90	1,00	Al.	PB 315	1 Inch	25,50	32,60	1,00	Cu.
PA 213	7/8	22,50	28,50	1,00	Al.	PB 316	M.F. Tr. EP	9,80	20,00	2,00	Cu.
PA 214	M24	24,30	30,90	1,00	Al.	PB 317	Fiat-BMC	14,20	19,90	2,00	Cu.
PA 215	1 Inch	25,50	32,60	1,00	Al.	PB 318	Ford traktör	9,80	14,90	1,50	Cu.
PA 224	M26	26,30	31,90	1,00	Al.	PB 319	Perkins	14,20	19,90	1,50	Cu.
PA 225	M30	30,30	35,90	1,50	Al.	PB 320	Mercedes	10,20	17,90	1,00	Cu.
PA 202MÖ	M8 İnce	8,20	11,90	1,00	Al.	PB 324	M26	26,30	31,90	1,00	Cu.
PA 204MÖ	M10 İnce	10,20	13,90	1,00	Al.	PB 325	M30	30,30	35,90	1,50	Cu.
PA 206MÖ	M12 İnce	12,20	15,90	1,00	Al.	PB 302MÖ	M8 İnce	8,20	11,90	1,00	Cu.
PB 299	5/32	4,20	7,90	1,00	Cu.	PB 304MÖ	M10 İnce	10,20	13,90	1,00	Cu.
PB 299M	M4	4,20	7,90	1,00	Cu.	PB 306MÖ	M12 İnce	12,20	15,90	1,00	Cu.
PB 300	3/16	5,20	9,80	1,00	Cu.						


NOT: TOLERANSLAR GENELDİR. ÖZEL PULLARIN TOLERANSLARI TEKNİK RESİMLERİNDEN ALINIR.

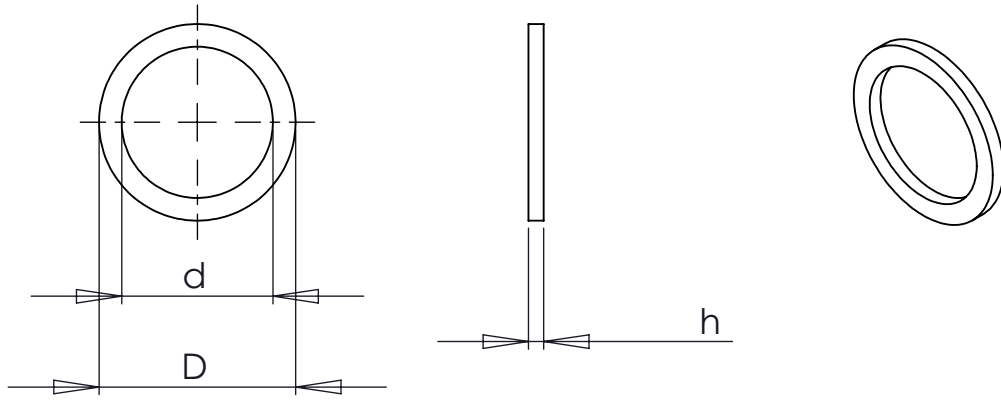
PROPRIETARY AND CONFIDENTIAL THE INFORMATION CONTAINED IN THIS DRAWING IS THE SOLE PROPERTY OF CIFTEL ELEKTROMEKANİK SAN. TIC. LTD. STI. ANY REPRODUCTION IN PART OR AS A WHOLE WITHOUT THE WRITTEN PERMISSION OF CIFTEL ELEKTROMEKANİK SAN. TIC. LTD. STI IS PROHIBITED.	OLCULER MM.DIR-DIMENSIONS ARE IN MM		
	RESİM GRUBU-DRAWING GROUP	PARÇA ADI-PART NAME	MALZEME -MATERIAL
	PUL	PUL	AL-CU-VF
	OLCEK-SCALE	PARÇA NO-PART NO	RESİM NO-DRAWING NUMBER
	1/1	PXXXXXXX	TR 023
			SAYFA NO-PAGE NUMBER
			1/3



PARÇA NO PART NO ARTIKEL NR	SEMBOL SYMBOL KURZZEICHEN	d +	D -	h +/-	MALZEME MATERIAL WERKSTOFF	PARÇA NO PART NO ARTIKEL NR	SEMBOL SYMBOL KURZZEICHEN	d +	D -	h +/-	MALZEME MATERIAL WERKSTOFF
		0,3	0,2	0,2				0,3	0,2	0,2	
P... 050810	5x8	5,10	7,90	1,00	Al-Cu-Vf	P... 121715	12x17	12,20	16,90	1,50	Al-Cu-Vf
P... 051010	5x10	5,30	9,90	1,00	Al-Cu-Vf	P... 121815	12x18	12,20	17,90	1,50	Al-Cu-Vf
P... 061010	6x10	6,20	9,90	1,00	Al-Cu-Vf	P... 121915	12x19	12,20	18,90	1,50	Al-Cu-Zn
P... 061020	6x10	6,20	9,90	2,00	Al-Cu-Vf	P... 121915	12x19	12,20	18,90	1,50	Zn.
P... 061110	6x11	6,10	10,90	1,00	Al-Cu-Vf	P... 122010	12x20	12,20	19,90	1,00	Al-Cu-Vf
P... 061210	6x12	6,50	11,90	1,00	Al-Cu-Vf	P... 122025	12x20	12,50	20,00	2,50	Vf.
P... 061315	6x13	6,50	12,90	1,50	Al-Cu-Vf	P... 122310	12x23	12,50	23,00	1,00	Vf-Pau
P... 061510	6x15	6,30	14,90	1,00	Al-Cu-Vf	P... 122310	12x23	12,20	22,90	1,00	Al-Cu-Vf
P... 071515	7x15	7,20	14,90	1,50	Al-Cu-Zn	P... 122320	12x23	12,30	23,00	2,00	Vf-Pau
P... 071615	7x16	7,20	15,90	1,50	Al-Cu-Vf	P... 122320	12x23	12,50	23,00	2,00	Vf-Pau
P... 081110	8x11,5	8,20	11,40	1,00	Al-Cu-Vf	P... 131610	13x16	12,90	15,90	1,00	Al-Cu
P... 081212	8x12	8,20	11,90	1,20	Al-Cu-Vf	P... 131815	13x18	13,20	17,90	1,50	Al-Cu-Vf
P... 081315	8x13	8,20	12,90	1,50	Al-Cu-Vf	P... 131815	13x18	13,10	18,50	1,20	Al-Cu-Vf
P... 082015	8x20	8,50	19,90	1,50	Al-Cu-Vf	P... 131924	13x19	13,10	18,90	2,40	Al-Cu-Vf
P... 091515	9x15	9,20	14,90	1,50	Al-Cu-Vf	P... 131920	13x19	13,90	19,00	2,00	Al-Cu-Vf
P... 091810	9x18	9,20	18,00	1,00	Al-Cu-Vf	P... 132315	13x23	13,20	22,50	1,50	Al-Cu-Vf
P... 091910	9x19	9,20	18,90	1,00	Al-Cu-Vf	P... 141815	14x18	14,20	17,90	1,50	Al-Cu-Vf
P... 091920	9x19	9,20	18,90	2,00	Al-Cu-Vf	P... 142015	14x20	14,20	19,90	1,50	Al-Cu-Zn
P... 092020	9x20	9,20	19,90	2,00	Al-Cu-Vf	P... 142615	14x26	14,20	25,90	1,50	Al-Cu-Vf
P... 092120	9x21	9,20	20,90	2,00	Al-Cu-Vf	P... 152315	15x23	15,20	22,90	1,50	Al-Cu-Zn
P... 101310	10x13	10,20	13,00	1,50	Al-Cu-Vf	P... 162015	16x20	16,20	19,90	1,50	Al-Cu-Vf
P... 101410	10x13,5	10,20	13,40	1,00	Al-Cu-Vf	P... 162315	16x23	16,20	22,90	1,50	Al-Cu-Vf
P... 101415	10x14	10,20	13,90	1,50	Al-Cu-Vf	P... 163320	16x33	16,50	33,00	2,00	Vf.
P... 101510	10x15	10,20	14,90	1,00	Al-Cu-Vf	P... 172115	17x21	17,20	20,90	1,50	Al-Cu-Vf
P... 101512	10x15,5	10,00	15,50	1,20	Al-Cu-Vf	P... 182215	18x22	18,20	21,90	1,50	Al-Cu-Vf
P... 101610	10x16	10,20	15,90	1,00	Al-Cu-Vf	P... 182415	18x24	18,20	23,90	1,50	Al-Cu-Zn
P... 101615	10x16	10,20	15,90	1,50	Al-Cu-Vf	P... 182515	18x25	18,20	24,90	1,50	Al-Cu-Vf
P... 101810	10x18	10,20	17,90	1,00	Al-Cu-Vf	P... 182815	18x28	18,20	27,90	1,50	Al-Cu-Vf
P... 102020	10x20	10,20	20,00	2,00	Al-Cu-Vf	P... 183010	18x30	18,50	29,50	1,00	Vf.
P... 102120	10x21	10,20	20,90	1,00	Al-Cu-Vf	P... 183510	18x35	18,50	35,00	1,00	Vf.
P... 111615	11x16	11,20	15,90	1,50	Al-Cu-Vf	P... 192515	19x25	19,20	24,90	1,50	Al-Cu-Vf
P... 111815	11x18	11,20	17,90	1,50	Al-Cu-Vf	P... 202415	20x24	20,20	23,90	1,50	Al-Cu-Vf
P... 121515	12x15,5	12,20	15,40	1,50	Al-Cu-Vf	P... 202615	20x26	20,20	25,90	1,50	Al-Cu-Vf
P... 121615	12x16	12,20	15,90	1,50	Al-Cu-Vf	P... 202715	20x27	20,20	26,90	1,50	Al-Cu-Vf

NOT: TOLERANSLAR GENEL DIR. ÖZEL PULLARIN TOLERANSLARI TEKNİK RESİMLERİNDEN ALINIR.

PROPRIETARY AND CONFIDENTIAL <small>THE INFORMATION CONTAINED IN THIS DRAWING IS THE SOLE PROPERTY OF CİFTEL ELEKTROMEKANİK SAN. TİC. LTD. ŞTİ. ANY REPRODUCTION IN PART OR AS A WHOLE WITHOUT THE WRITTEN PERMISSION OF CİFTEL ELEKTROMEKANİK SAN. TİC. LTD. ŞTİ IS PROHIBITED.</small>	OLCULER MM.DIR-DIMENSIONS ARE IN MM		
	RESİM GRUBU-DRAWING GROUP	PARÇA ADI-PART NAME	MALZEME -MATERIAL
	PUL	PUL	AL-CU-VF
	OLCEK-SCALE	PARÇA NO-PART NO	RESİM NO-DRAWING NUMBER
	1/1	PXXXXXXX	TR 023
			SAYFA NO-PAGE NUMBER
			2/3



PARÇA NO PART NO ARTIKEL NR	SEMBOL SYMBOL KURZZEICHEN	d +	D -	h +/-	MALZEME MATERIAL WERKSTOFF	PARÇA NO PART NO ARTIKEL NR	SEMBOL SYMBOL KURZZEICHEN	d +	D -	h +/-	MALZEME MATERIAL WERKSTOFF		
		0,3	0,2	0,2				0,3	0,2	0,2			
P...	212615	21x26	21,20	25,90	1,50	Al-Cu-Vf	P...	425025	42x50	42,50	50,00	2,50	St.
P...	213730	21x37	21,00	37,00	3,00	Al-Cu-Vf	P...	444915	44x49	44,20	48,90	1,50	Al-Cu-Vf
P...	222715	22x27	22,20	26,90	1,50	Al-Cu-Vf	P...	455005	45x50	45,00	50,00	0,50	Al-Cu-Vf
P...	222915	22x29	22,20	28,90	1,50	Al-Cu-Vf	P...	455010	45x50	45,00	50,00	1,00	Al-Cu-Vf
P...	223020	22x30	22,40	29,90	2,00	Al-Cu-Vf	P...	455015	45x50	45,00	50,00	1,50	Al-Cu-Vf
P...	242920	24x29	24,50	28,50	2,00	Al-Cu-Vf	P...	455220	45x52	45,20	51,90	2,00	Al-Cu-Vf
P...	243115	24x31	24,20	30,90	1,50	Al-Cu-Vf	P...	455510	45x55	45,20	54,90	1,00	Al-Cu-Vf
P...	243215	24x32	24,30	31,90	1,50	Al-Cu-Vf	P...	637205	63,5x72	63,50	71,90	0,50	Al-Cu-Vf
P...	263010	26x30	26,30	29,90	1,00	Al-Cu-Vf							
P...	263015	26x30	26,30	29,90	1,50	Al-Cu-Vf							
P...	263120	26x31	26,30	30,90	2,00	Al-Cu-Vf							
P...	263220	26x32	26,30	31,90	2,00	Al-Cu-Vf							
P...	263420	26x34	26,30	33,90	2,00	Al-Cu-Vf							
P...	273315	27x33	27,20	32,90	1,50	Al-Cu-Vf							
P...	303620	30x36	30,30	35,90	2,00	Al-Cu-Vf							
P...	303815	30x38	30,30	37,90	1,50	Al-Cu-Vf							
P...	334115	33x41	33,30	40,90	1,50	Al-Cu-Vf							
P...	334520	33x45	33,20	44,80	2,00	Al-Cu-Vf							
P...	355020	35x50	35,00	50,00	2,00	Al-Cu-Vf							
P...	384315	38x43	38,20	42,90	1,50	Al-Cu-Vf							
P...	404705	40x47	40,50	46,90	0,50	Al-Cu-Vf							
P...	425005	42x50	42,50	50,00	0,50	St.							
P...	425010	42x50	42,50	50,00	1,00	St.							
P...	425015	42x50	42,50	50,00	1,50	St.							
P...	425020	42x50	42,50	50,00	2,00	St.							

NOT:

1-PARÇA NO DAKİ İLK (P) HARFİ PUL'U SONRA GELEN HARF İS MALZEMİYİ TEMSİL EDER. ÖR.:

A=ALÜMİNYUM, B=BAKIR, F=FİBER, S=SAÇ (ÇELİK), P=KAĞIT, PRESBANT

2-MALZEME RUMUZLARI:

Al=ALÜMİNYUM, Cu=BAKIR, Vf=VULKANİZE FİBER,
St=SAÇ (ÇELİK), Pau=KAĞIT, PRESBANT, Zn=ÇİNKO

3-TOLERANSLAR GENELDİR. ÖZEL PULLARIN TOLERANSLARI TEKNİK RESİMLERİNDEN .

PROPRIETARY AND CONFIDENTIAL

THE INFORMATION CONTAINED IN THIS DRAWING IS THE SOLE PROPERTY OF CIFTEL ELEKTROMEKANİK SAN. TIC. LTD. STI. ANY REPRODUCTION IN PART OR AS A WHOLE WITHOUT THE WRITTEN PERMISSION OF CIFTEL ELEKTROMEKANİK SAN. TIC. LTD. STI IS PROHIBITED.

OLÇULER MM.DIR-DIMENSIONS ARE IN MM

RESİM GRUBU-DRAWING GROUP

PARÇA ADI-PART NAME

MALZEME -MATERIAL

PUL

PUL

AL-CU-VF



OLÇEK-SCALE

PARÇA NO-PART NO

RESİM NO-DRAWING NUMBER

SAYFA NO-PAGE NUMBER

1/1

PXXXXXXX

TR 023

3/3